

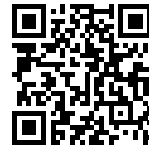


Totem4 inox

Built-in socket

Code: 8000 011

Torretta portaprese estaribile -2 prese Schuko -1 presa ITA 3 poli 10A-16A -1 presa USB per ricarica Con tappo inox satinato Cavo alimentazione in dotazione



DETAILS

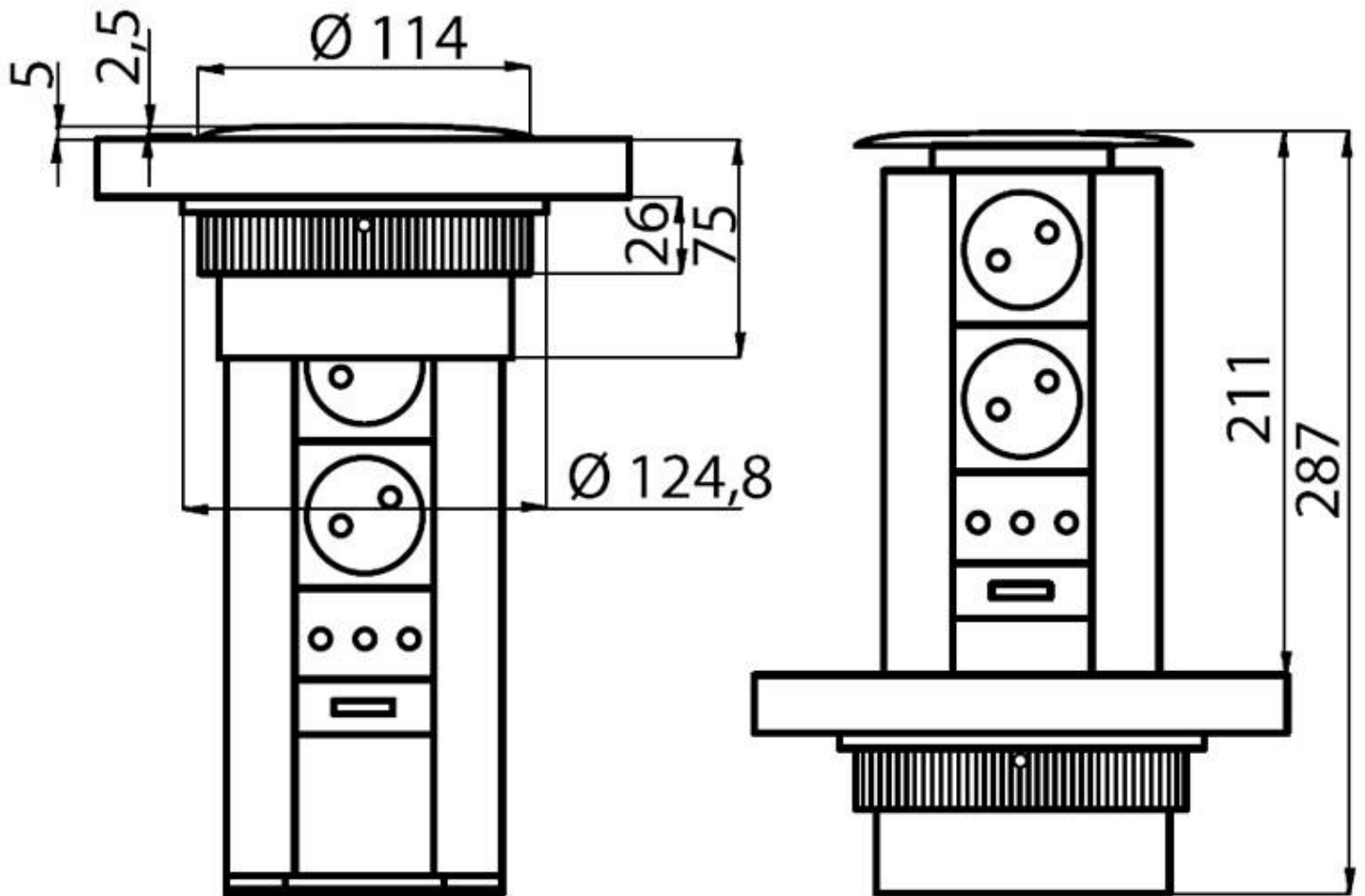
Built-in hole Ø 102 mm

Notes: It's advisable to keep a distance of 40 cm from sinks or cooking hobs (protection index IP20)

Max worktop thickness 50mm

Type of accessory c

TECHNICAL DATA



OPTIONAL ACCESSORIES



Totem3
8000 012